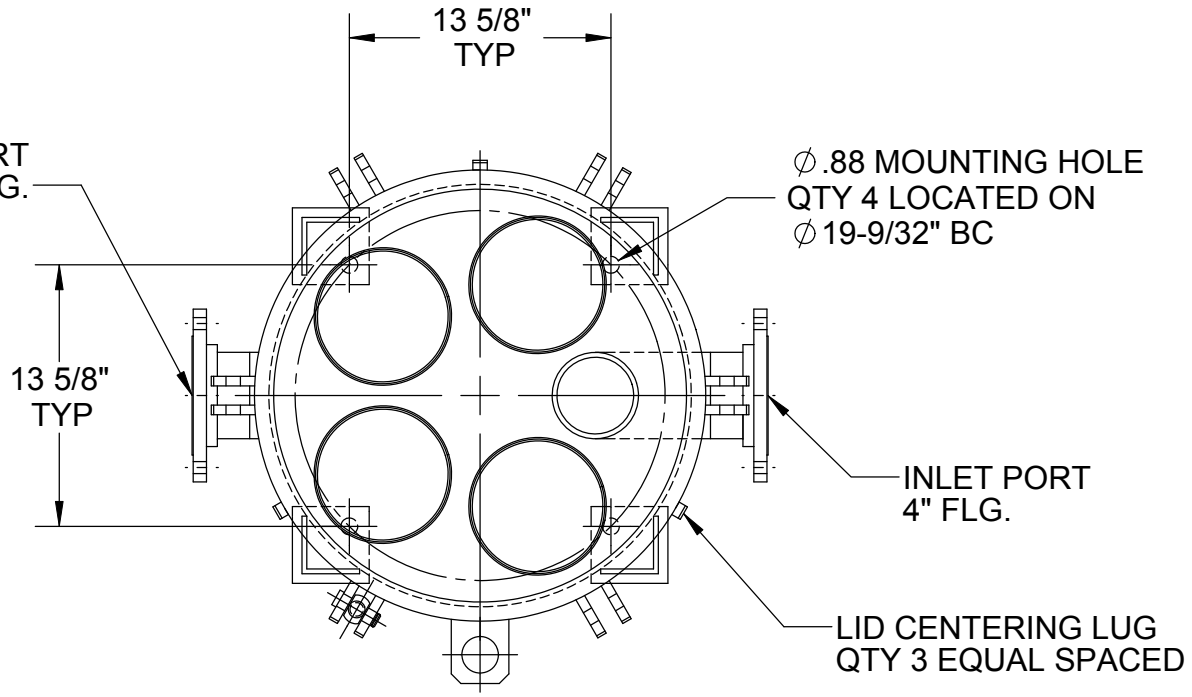
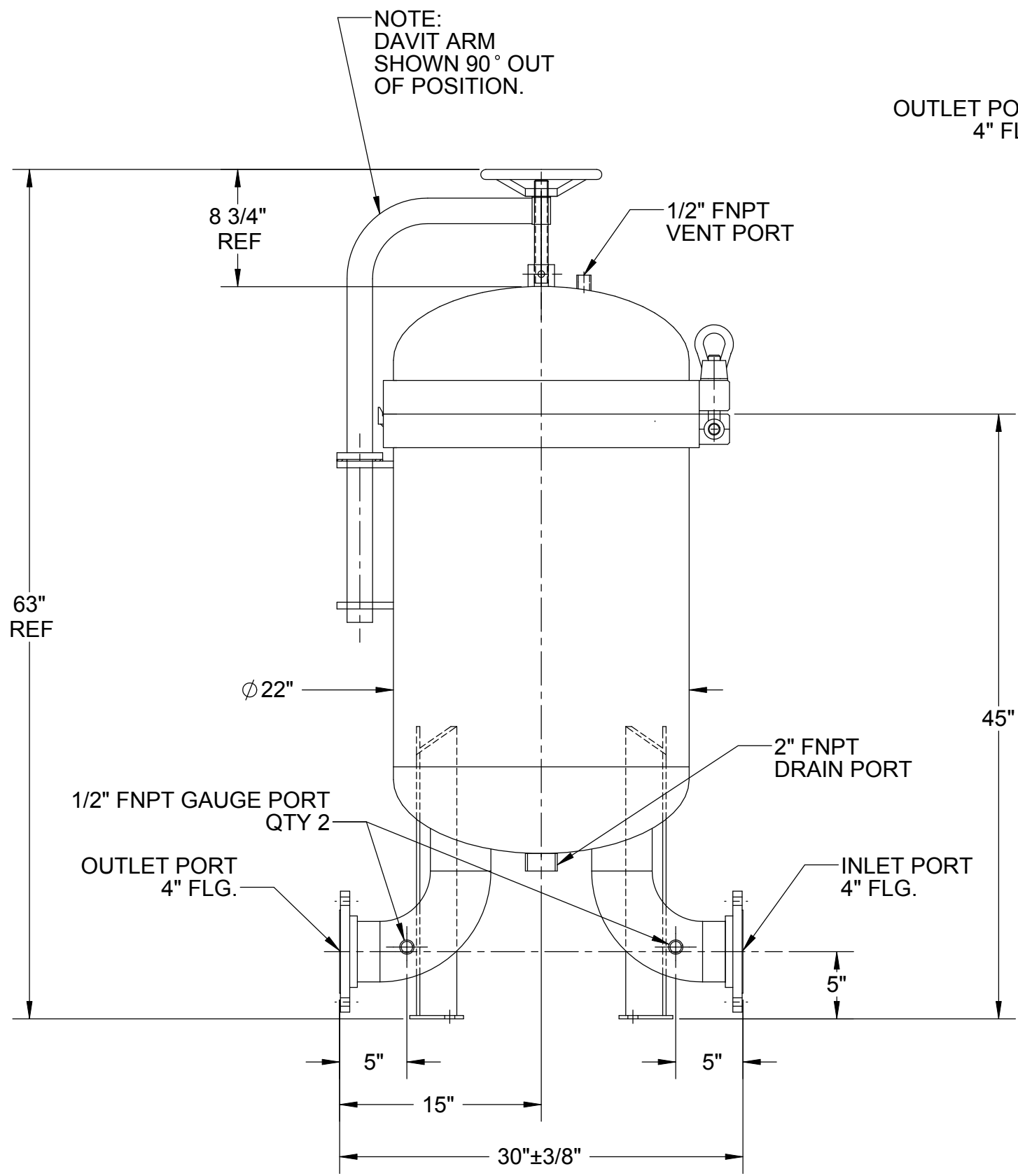


REVISIONS			
REV.	DESCRIPTION	DATE	APPROVED



OPTION LEGEND				
STOCK CODE	MATERIAL	FINISH †	ASME "U" STAMP §	CUSTOMER INITIALS
HMB-4-FL	304SS	GBB	NO	
HMB-4-FL-U		GBB	YES	
HMB-4-FL-6	316SS	GBB	NO	
HMB-4-FL-6-U		GBB	YES	

† GBB = GLASS BEAD BLASTED
 § DESIGNED AND FABRICATED TO ASME BPVC, SECTION VIII, DIV. 1, "U" STAMP.
 O-RING MATERIAL: BUNA-N
 ALL STOCK CODES RATED FOR 150 PSI @250°F MAX WORKING PRESSURE.

SHIPPING INFO	
WEIGHT	600 lbs
DIMENSIONS	32"x33"x67"

CUSTOMER APPROVAL

COMPANY: _____

NAME (printed): _____

SIGNATURE: _____

DATE: _____

APPROVALS	DATE
DRAWN RS	9-21-10
APPROVED	

UNLESS OTHERWISE SPECIFIED DIMENSIONS ARE IN INCHES TOLERANCES ARE:

FRACTIONS	DECIMALS	ANGLES
+/- 1/8	+/- .030	+/- 30'

DRAWN ON CAD DO NOT SCALE

HARMSCO INC.
 P.O. BOX 14066 N. PALM BEACH, FL

SCALE "1:10"	4 ROUND MULTI-BAG, SIZE #2 HOUSING	PART NO. HMB-4-FL _
-----------------	------------------------------------	------------------------