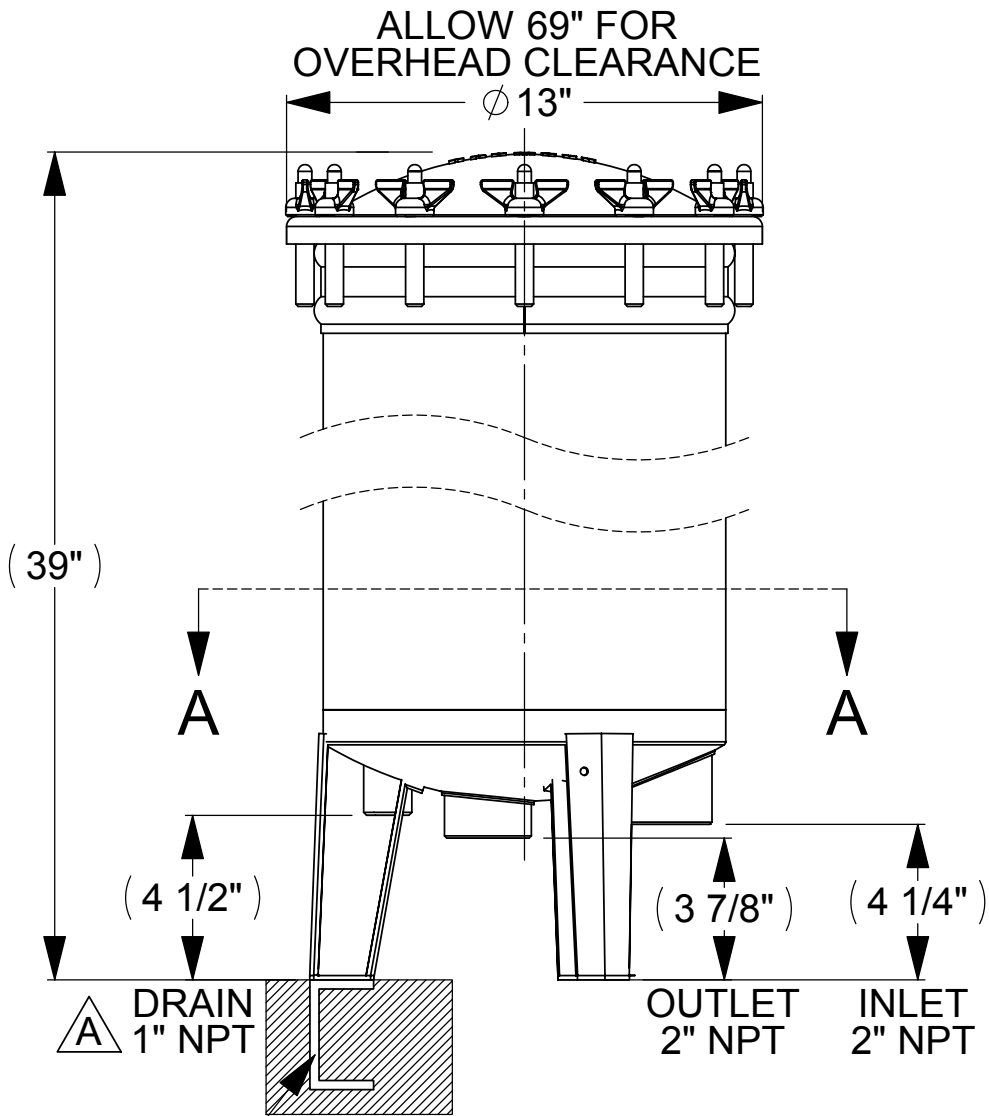
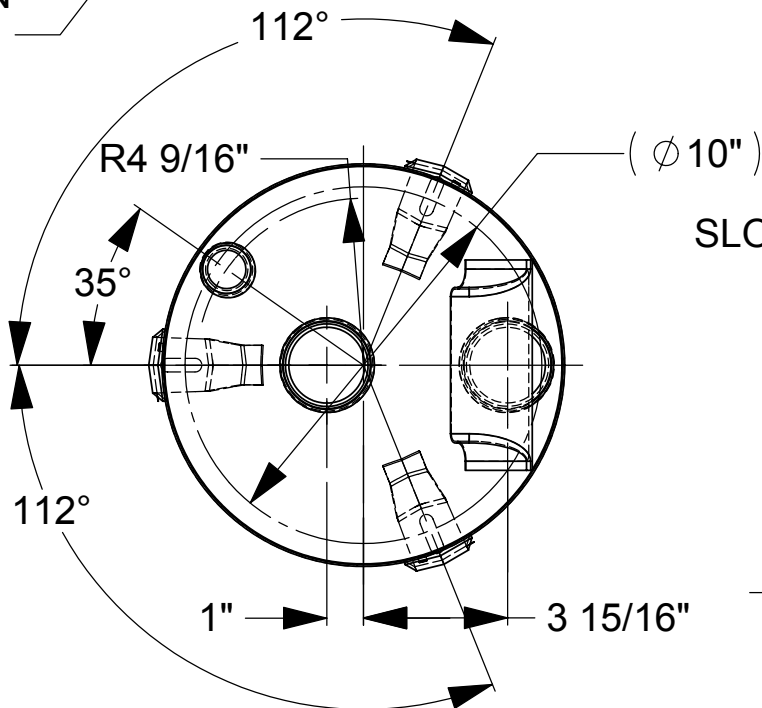


REVISIONS		
REV.	DESCRIPTION	DATE
A	CALLOUT PIPE SIZE	11/99
		APPROVED



LEG EXTENSION
(ADDS 3")



**SECTION A-A
FOOTPRINT**

HARMSCO INC.		P.O. BOX 14066		N. PALM BEACH, FL	
APPROVALS		DATE	PART NAME		
DRAWN	CWN	5/2/00	INSTALLATION		
APPROVED DRN.	RPT	5/31/00	DIAGRAM		
UNLESS OTHERWISE SPECIFIED DIMENSIONS ARE IN INCHES TOLERANCES ARE: FRACTIONS DECIMALS ANGLES +/- 1/8 +/- .010 +/- 30'			SCALE	PART NO.	
			1:5	HIF 24	
DRAWN ON CAD DO NOT SCALE					

THE INFORMATION CONTAINED IN THIS DRAWING IS THE SOLE PROPERTY OF HARMSCO INC.. ANY REPRODUCTION IN PART OR WHOLE WITHOUT THEIR EXPRESS WRITTEN CONSENT IS PROHIBITED.